

## Delirious

by John Bailey, 2005

Angles for R.I. = 1.540

30 + 6 girdles = 36 facets

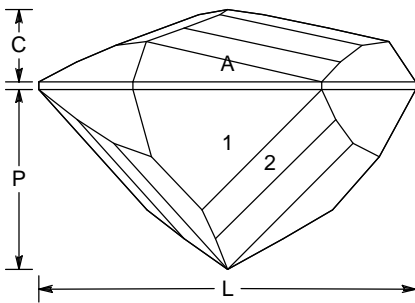
3-fold radial symmetry

96 index

L/W = 1.155

P/W = 0.552 C/W = 0.221

Vol./W<sup>3</sup> = 0.325



### PAVILION

1	65.00°	96-16-32-48-64-80	CTP or even depth
G	90.00°	96-16-32-48-64-80	Calibrate size
2	44.90°	21-53-85	Meet 1, G
3	44.10°	20-52-84	
4	43.00°	18-50-82	Meet @ culet

### CROWN

A	60.00°	96-16-32-48-64-80	Even girdle
B	24.40°	06-38-70	Meet A, G
C	14.80°	13-45-77	Meet A, B
D	22.10°	07-39-71	Divide B, C, D evenly

2005 Member's Choice Design Award

COS Brightness = 44

E:\Dvue2\MyGems\Delirious.gem