

Easy OMNI Oval

by John Bailey, 2008

Angles for R.I. = 1.540

69 + 16 girdles = 85 facets

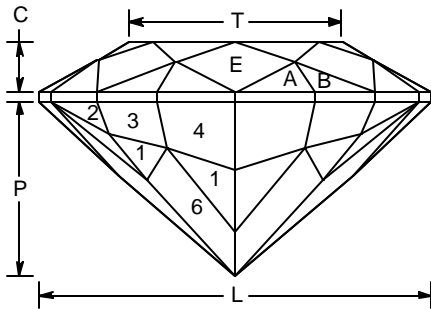
2-fold, mirror-image symmetry

96 index

L/W = 1.237 T/W = 0.669 U/W = 0.529

P/W = 0.551 C/W = 0.158

Vol./W³ = 0.333



PAVILION

1	44.00°	05-10-17-21- 27-31-38-43- 53-58-65-69- 75-79-86-91	CTP
G1	90.00°	21-27-69-75	Calibrate length
G2	90.00°	13-35-61-83	Meet 1, G1
G3	90.00°	08-40-56-88	Meet 1, G2
G4	90.00°	02-46-50-94	Meet 1, G3
2	63.70°	13-35-61-83	Meet 1, G1, G2
3	65.20°	08-40-56-88	Meet 1, 2, G2, G3
4	66.70°	02-46-50-94	Meet 1, 3, G3, G4
5	42.00°	19-29-67-77	Meet 1, 2, Girdle
6	41.40°	09-39-57-87	Meet 1, 3, 4

CROWN

A	39.00°	02-46-50-94	Set Girdle width
B	37.00°	08-40-56-88	Even Girdle
C	36.70°	13-35-61-83	Even Girdle
D	34.20°	21-27-69-75	Even Girdle
E	33.80°	96-48	Meet A, Girdle
F	32.00°	10-38-58-86	Meet B, C, Girdle
G	29.10°	24-72	Meet D, Girdle
H	22.60°	05-43-53-91	Meet A, B, E, F
J	19.90°	18-30-66-78	Meet C, D, F, G
T	0.00°	Table	

COS = 75.9

E:\Dvue2\MyGems\EasyOMNIoval.gem