

Easy Six

by John Bailey, 2007

Angles for R.I. = 1.540

49 + 6 girdles = 55 facets

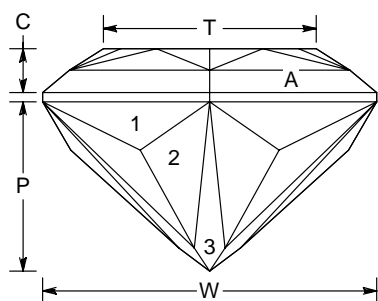
6-fold, mirror-image symmetry

96 index

$L/W = 1.155$ $T/W = 0.638$ $U/W = 0.616$

$P/W = 0.507$ $C/W = 0.130$

$Vol./W^3 = 0.269$



PAVILION

Girdle	90.00°	08-24-40-56-72-88	Preform / Calibrate
1	60.00°	08-24-40-56-72-88	Locate Girdle
2	43.00°	04-12-20-28-36-44- 52-60-68-76-84-92	Meet 1, Girdle
3	41.30°	96-16-32-48-64-80	Meet 1, 2, Girdle

CROWN

A	40.00°	08-24-40-56-72-88	Set Girdle width
B	32.00°	08-24-40-56-72-88	Make a step
C	20.00°	03-13-19-29-35-45- 51-61-67-77-83-93	Meet A, B
T	0.00°	Table	

COS = 73.8

E:\Dvue2\MyGems\NEWGEM~1\EasySix.gem