

Ellis' Entegrity

by John Bailey, 2005

Angles for R.I. = 1.540

64 + 16 girdles = 80 facets

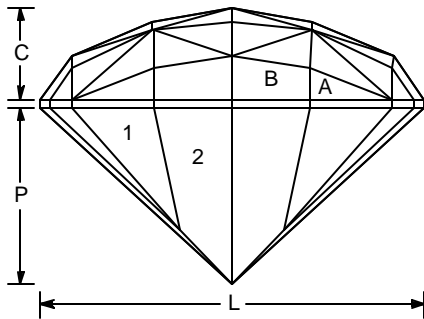
4-fold, mirror-image symmetry

96 index

L/W = 1.000

P/W = 0.462 C/W = 0.241

Vol./W³ = 0.260



PAVILION

1	43.00°	04-20-28-44- 52-68-76-92	CTP; + preform idx 2 @ 43.8 meet culet.
G1	90.00°	02-22-26-46- 50-70-74-94	Calibrate size
G2	90.00°	04-20-28-44- 52-68-76-92	Even girdle
2	43.00°	02-22-26-46- 50-70-74-94	Meet 1, G1, G2

CROWN

A	55.50°	04-20-28-44- 52-68-76-92	Establish girdle thickness
B	54.80°	02-22-26-46- 50-70-74-94	Even girdle
C	32.00°	10-14-34-38- 58-62-82-86	Meet A, G2
D	27.50°	05-19-29-43- 53-67-77-91	Meet A, B, C
E	22.60°	03-21-27-45- 51-69-75-93	Meet B, B, and C, D
F	12.00°	06-18-30-42- 54-66-78-90	Meet C, D, E

In Memoriam, Ellis Boeringer 1937 - 2004

CAM Preform 43 on i4; 43.8 on i2

E:\Dvue2\MyGems\Ellis.gem