

Tom's Hopscotch Triangle

by John Bailey, 2003

Angles for R.I. = 1.540

55 + 9 girdles = 64 facets

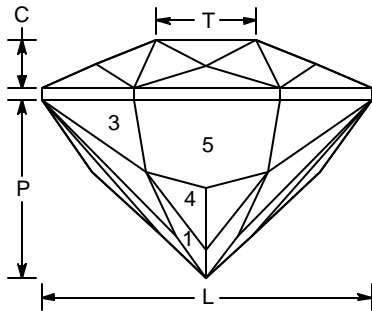
3-fold, mirror-image symmetry

96 index

L/W = 1.041 T/W = 0.317 U/W = 0.275

P/W = 0.561 C/W = 0.152

Vol./W³ = 0.236



PAVILION

1	43.00°	07-16-25-39-48-57-71-80-89	CTP
G1	90.00°	05-27-37-59-69-91	Establish corners
2	44.70°	12-20-44-52-76-84	Meet 1, G1
3	65.80°	05-27-37-59-69-91	Meet 1, 2, G1
4	48.00°	02-30-34-62-66-94	Meet 1, 2, 3
5	67.30°	96-32-64	Meet 1, 2, 3, 4
G2	90.00°	96-32-64	Even girdle - Meet 3, 5

CROWN

A	28.50°	96-32-64	Set girdle width
B	27.30°	05-27-37-59-69-91	Even girdle
C	26.00°	01-31-33-63-65-95	Meet A, B, G1, G2
D	25.70°	04-28-36-60-68-92	Meet A, B, C
E	24.60°	96-32-64	Meet A, C, and C, D
T	0.00°	Table	Meet C, D, E

In loving memory of Dr. Tom Walker 01/10/1934 - 04/29/2003

E:\Dvue2\MyGems\HOPSCOCH.GEM