

I'll be Around, Too

by John Bailey, 2007

Angles for R.I. = 1.540

50 + 24 girdles = 74 facets

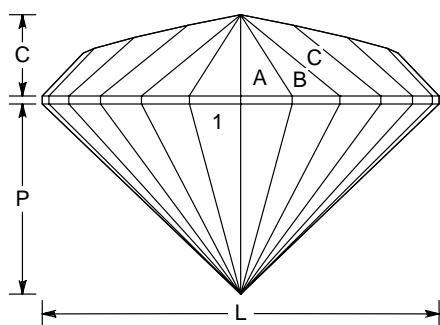
1-fold, mirror-image symmetry

96 index

$L/W = 1.000$

$P/W = 0.479$ $C/W = 0.204$

$Vol./W^3 = 0.228$



PAVILION

| | | | |
|---|--------|---|-----|
| 1 | 44.00° | 02-06-10-14-18-22-26-30-34-38-42-46-50-54-58-62-66-70-74-78-82-86-90-94 | CTP |
| | 90.00° | 02-06-10-14-18-22-26-30-34-38-42-46-50-54-58-62-66-70-74-78-82-86-90-94 | |

CROWN

| | | | |
|---|--------|-------|---------------|
| A | 64.40° | 02-94 | Locate Girdle |
| B | 58.50° | 06-90 | Even Girdle |
| C | 49.00° | 10-86 | Even Girdle |
| D | 43.00° | 14-82 | Even Girdle |
| E | 41.00° | 18-78 | Even Girdle |
| F | 44.00° | 22-74 | Even Girdle |
| G | 49.00° | 26-70 | Even Girdle |
| H | 54.00° | 30-66 | Even Girdle |
| J | 56.00° | 34-62 | Even Girdle |
| K | 50.00° | 38-58 | Even Girdle |
| L | 44.00° | 42-54 | Even Girdle |
| M | 39.00° | 46-50 | Even Girdle |
| T | 10.00° | 30-66 | |

COS= 52.6

Fast, easy, unique way to do a heart.

E:\Dvue2\MyGems\ILLbAroundToo.gem