

## Lonestar 96

by John Bailey, 2007

Angles for R.I. = 1.610

91 + 20 girdles = 111 facets

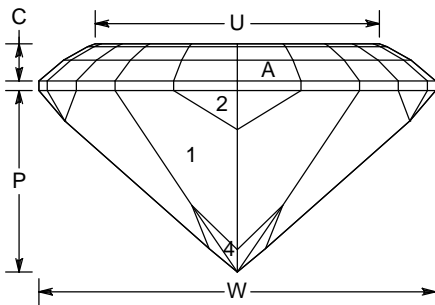
10-fold, mirror-image symmetry

96 index

$L/W = 1.011$   $T/W = 0.724$   $U/W = 0.716$

$P/W = 0.458$   $C/W = 0.093$

$Vol./W^3 = 0.200$



### PAVILION

1	43.00°	07-13-26-32-45- 51-64-70-83-89	CTP
Girdle	90.00°	03-07-13-16-22- 26-32-35-41-45- 51-55-61-64-70- 74-80-83-89-93	Calibrate size
2	55.00°	03-16-35-61-80- 93	Even Girdle
3	58.00°	22-41-55-74	Even Girdle
4	42.00°	08-12-27-31-46- 50-65-69-84-88	CPP

### CROWN

A	40.00°	03-07-13-16-22- 26-32-35-41-45- 51-55-61-64-70- 74-80-83-89-93	Set Girdle width
B	30.00°	03-07-13-16-22- 26-32-35-41-45- 51-55-61-64-70- 74-80-83-89-93	
C	20.00°	03-07-13-16-22- 26-32-35-41-45- 51-55-61-64-70- 74-80-83-89-93	
T	0.00°	Table	

COS = 68.2

An easy "lonestar" design for the 96 index, proportioned for setting.

E:\Dvue2\MyGems\LS-96-161.gem