

## Morgan's Mirth

by John Bailey, 2005

Angles for R.I. = 1.760

28 + 9 girdles = 37 facets

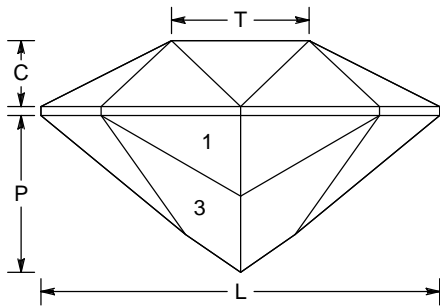
3-fold, mirror-image symmetry

96 index

$L/W = 1.125$   $T/W = 0.388$   $U/W = 0.336$

$P/W = 0.442$   $C/W = 0.186$

$Vol./W^3 = 0.219$



### PAVILION

1	48.00°	01-31-33-63-65-95	CTP
2	42.00°	16-48-80	Meet culet (CAM)
G1	90.00°	01-31-33-63-65-95	Girdle
G2	90.00°	16-48-80	Even girdle
3	42.00°	03-29-35-61-67-93	Meet 1, 2, Girdle

### CROWN

A	30.00°	01-31-33-63-65-95	Establish girdle thickness
B	29.60°	16-48-80	Meet A, Girdle
T	0.00°	Table	Meet A, B, C
C	29.00°	96-32-64	Meet A, Girdle

2005 Member's Choice Design Award

COS Brightness = 49.1

E:\Dvue2\MyGems\MsMirth.gem