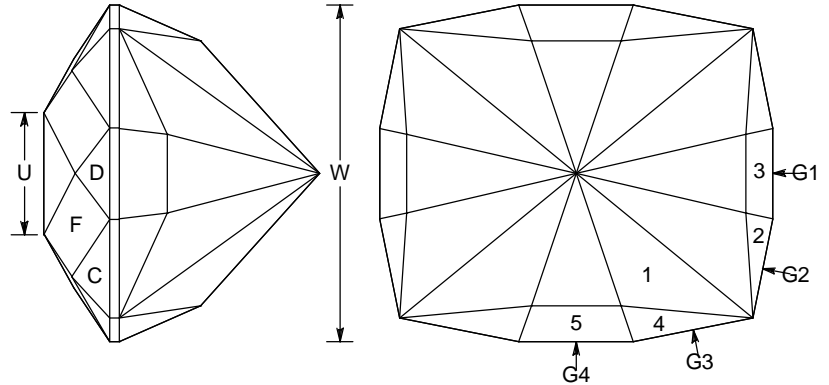
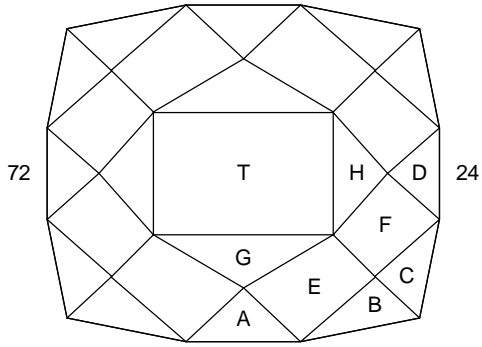


60 48 36



84 <96> 12

### OMNI Cushion Two

by John Bailey, 2006

Angles for R.I. = 1.540

49 + 12 girdles = 61 facets

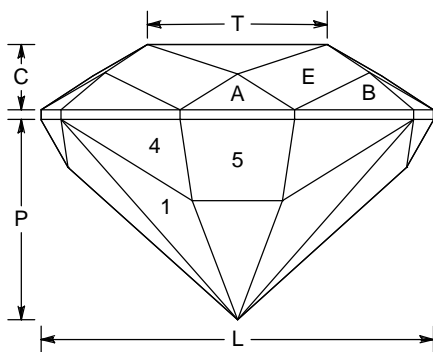
2-fold, mirror-image symmetry

96 index

$L/W = 1.164$   $T/W = 0.534$   $U/W = 0.363$

$P/W = 0.594$   $C/W = 0.195$

$Vol./W^3 = 0.395$



#### PAVILION

1	42.00°	96-10-17-24-31-38-48-58-65-72-79-86	CTP
G1	90.00°	24-72	Calibrate length
G2	90.00°	21-27-69-75	OMNI
G3	90.00°	03-45-51-93	OMNI
G4	90.00°	96-48	OMNI
2	60.00°	21-27-69-75	Meet 1, Girdle corner
3	60.60°	24-72	Meet 2, G1, G2 and 1, 2
4	65.00°	03-45-51-93	Meet 1, Girdle corner
5	66.00°	96-48	Meet 4, G3, G4 and 1, 4

#### CROWN

A	33.70°	96-48	Set girdle thickness
B	37.30°	03-45-51-93	Even girdle
C	36.00°	21-27-69-75	Even girdle
D	33.40°	24-72	Even girdle
E	32.00°	01-47-49-95	Meet A, B, Girdle
F	32.00°	23-25-71-73	Meet C, D, Girdle
G	29.00°	96-48	Meet A, E
H	30.00°	24-72	Meet D, F
T	0.00°	Table	Meet E, F, G, H

Good for RI from 1.54 and up

COS Brightness = 77.8 @ 1.54

E:\Dvue2\MyGems\OC-02.gem