

Pam's Panache 85

by John Bailey, 2006

Angles for R.I. = 1.540

65 + 16 girdles = 81 facets

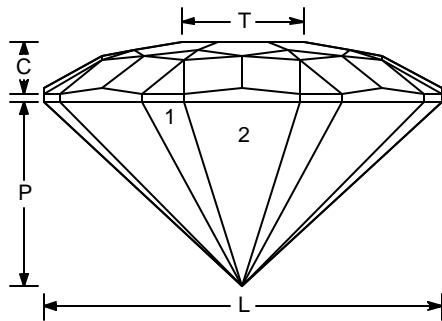
8-fold, mirror-image symmetry

96 index

L/W = 1.000 T/W = 0.308 U/W = 0.308

P/W = 0.466 C/W = 0.131

Vol./W³ = 0.210



PAVILION

1	42.00°	06-18-30-42-54-66-78-90	CTP
2	43.00°	96-12-24-36-48-60-72-84	Meet Culet
G1	90.00°	96-12-24-36-48-60-72-84	Calibrate Size
G2	90.00°	06-18-30-42-54-66-78-90	Even Girdle

CROWN

A	30.20°	02-10-14-22-26-34-38-46-50-58-62-70-74-82-86-94	Set Girdle width
B	32.00°	06-18-30-42-54-66-78-90	Even Girdle
C	16.20°	04-08-16-20-28-32-40-44-52-56-64-68-76-80-88-92	Meet A, B
D	10.00°	96-12-24-36-48-60-72-84	Meet A, C
T	0.00°	Table	Make pentagons

COS Brightness = 77.1

E:\Dvue2\MyGems\New Folder\PP85.gem