

### Patricia Gem

for large glass stones

by John Bailey

Cut into 871 carat glass in 2002

Angles for R.I. = 1.520

313 + 24 girdles = 337 facets

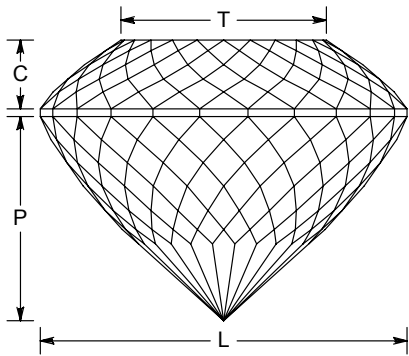
24-fold, mirror-image symmetry

96 index

$L/W = 1.000$   $T/W = 0.560$   $U/W = 0.560$

$P/W = 0.557$   $C/W = 0.188$

$Vol./W^3 = 0.296$



#### PAVILION

90.00°	96-04-08-12-16-20-24-28-32-36-40-44-48-52-56-60-64-68-72-76-80-84-88-92
66.00°	96-04-08-12-16-20-24-28-32-36-40-44-48-52-56-60-64-68-72-76-80-84-88-92
60.00°	02-06-10-14-18-22-26-30-34-38-42-46-50-54-58-62-66-70-74-78-82-86-90-94
55.00°	96-04-08-12-16-20-24-28-32-36-40-44-48-52-56-60-64-68-72-76-80-84-88-92
51.00°	02-06-10-14-18-22-26-30-34-38-42-46-50-54-58-62-66-70-74-78-82-86-90-94
48.00°	96-04-08-12-16-20-24-28-32-36-40-44-48-52-56-60-64-68-72-76-80-84-88-92
45.00°	02-06-10-14-18-22-26-30-34-38-42-46-50-54-58-62-66-70-74-78-82-86-90-94
42.00°	96-04-08-12-16-20-24-28-32-36-40-44-48-52-56-60-64-68-72-76-80-84-88-92

#### CROWN

53.00°	96-04-08-12-16-20-24-28-32-36-40-44-48-52-56-60-64-68-72-76-80-84-88-92
47.00°	02-06-10-14-18-22-26-30-34-38-42-46-50-54-58-62-66-70-74-78-82-86-90-94
41.00°	96-04-08-12-16-20-24-28-32-36-40-44-48-52-56-60-64-68-72-76-80-84-88-92
37.00°	02-06-10-14-18-22-26-30-34-38-42-46-50-54-58-62-66-70-74-78-82-86-90-94
34.00°	96-04-08-12-16-20-24-28-32-36-40-44-48-52-56-60-64-68-72-76-80-84-88-92
31.00°	02-06-10-14-18-22-26-30-34-38-42-46-50-54-58-62-66-70-74-78-82-86-90-94
0.00°	Table