

### Pomeranian Pebble

by John Bailey, 2009

Angles for R.I. = 1.540

73 + 12 girdles = 85 facets

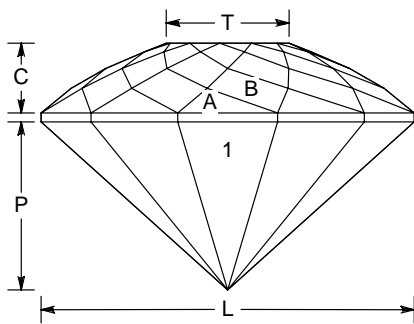
12-fold radial symmetry

96 index

$L/W = 1.000$   $T/W = 0.329$   $U/W = 0.329$

$P/W = 0.450$   $C/W = 0.186$

$Vol./W^3 = 0.220$



#### PAVILION

Girdle	90.00°	96-08-16-24-32-40- 48-56-64-72-80-88
1	42.00°	96-08-16-24-32-40- 48-56-64-72-80-88

#### CROWN

A	39.00°	96-08-16-24-32-40- 48-56-64-72-80-88	Girdle width
B	32.00°	02-10-18-26-34-42- 50-58-66-74-82-90	Meet A, Girdle
C	27.00°	04-12-20-28-36-44- 52-60-68-76-84-92	Meet B, B
D	23.00°	07-15-23-31-39-47- 55-63-71-79-87-95	Meet C, C
E	19.00°	02-10-18-26-34-42- 50-58-66-74-82-90	Meet D, D
T	0.00°	Table	Meet D, D

COS = 79.9

Crown similar to 28.137

E:\Dvue2\MyGems\PomeranianPebble.gem