

## Private Eye

by John Bailey, 2006

Angles for R.I. = 1.540

101 + 16 girdles = 117 facets

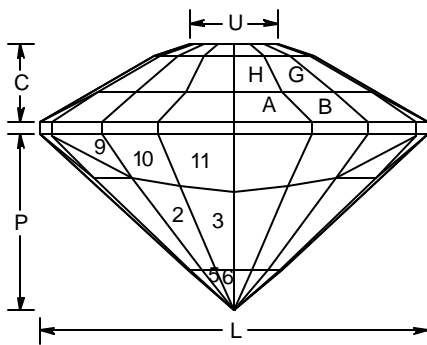
2-fold, mirror-image symmetry

96 index

L/W = 1.247 T/W = 0.292 U/W = 0.282

P/W = 0.567 C/W = 0.251

Vol./W<sup>3</sup> = 0.374



### PAVILION

1	43.00°	22-26-70-74	CTP
2	43.70°	09-15-33-39-57-63-81-87	Meet Culet
3	43.90°	03-45-51-93	Meet Culet
4	41.00°	22-26-70-74	CTP
5	41.70°	09-15-33-39-57-63-81-87	Meet Culet
6	41.90°	03-45-51-93	Meet Culet
7	45.20°	21-27-69-75	Locate end
8	46.50°	15-33-63-81	Meet 1, 2, 7
9	55.40°	13-35-61-83	Meet 2, 2, 8
10	60.50°	08-40-56-88	Meet 2, 8, 9
11	65.80°	02-46-50-94	Meet 2, 3, 10
G1	90.00°	21-27-69-75	Establish end
G2	90.00°	13-35-61-83	Even Girdle
G3	90.00°	08-40-56-88	Even Girdle
G4	90.00°	02-46-50-94	Even Girdle

### CROWN

A	47.00°	02-46-50-94	Set Girdle thickness
B	40.00°	08-40-56-88	Even Girdle
C	37.00°	13-35-61-83	Even Girdle
D	32.50°	21-27-69-75	Even Girdle
E	30.50°	22-26-70-74	Meet D, Girdle
F	33.80°	13-35-61-83	Meet C, D, E
G	35.70°	08-40-56-88	Meet B, C, F
H	36.00°	02-46-50-94	Meet A, B, G
J	20.50°	02-46-50-94	Divide H in half
K	19.50°	08-40-56-88	Meet G, H, J
L	18.50°	13-35-61-83	Meet F, G, K
M	17.80°	22-26-70-74	Meet E, F, L
T	0.00°	Table	

COS Brightness = 46.4

E:\Dvue2\MyGems\PrivateEye.gem