

ReCheck for Sapphire

by John Bailey, 2003

Angles for R.I. = 1.760

65 + 20 girdles = 85 facets

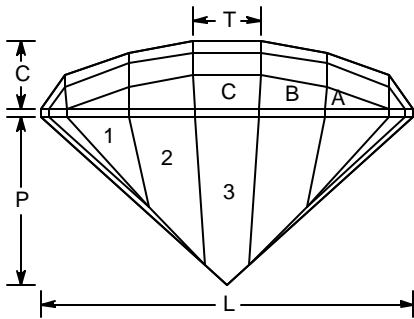
4-fold, mirror-image symmetry

96 index

L/W = 1.000 T/W = 0.181 U/W = 0.181

P/W = 0.450 C/W = 0.180

Vol./W³ = 0.256



PREFORM

1	42.00°	04-20-28-44- 52-68-76-92	CTP
PF-1	43.20°	02-22-26-46- 50-70-74-94	CTP
PF-2	43.60°	96-24-48-72	CTP
G1	90.00°	96-24-48-72	Calibrate size
G2	90.00°	02-22-26-46- 50-70-74-94	Even girdle
G3	90.00°	04-20-28-44- 52-68-76-92	Even girdle

PAVILION

2	42.00°	02-22-26-46- 50-70-74-94	Meet 1, G2, G3
3	42.00°	96-24-48-72	Meet 2, G1, G2

CROWN

A	54.60°	04-20-28-44- 52-68-76-92	Set girdle thickness
B	53.80°	02-22-26-46- 50-70-74-94	Even girdle
C	53.40°	96-24-48-72	Even girdle
D	26.80°	12-36-60-84	Meet A, G3
E	21.70°	07-17-31-41- 55-65-79-89	Meet A, B, D
F	19.60°	96-24-48-72	Meet B, C, E
G	14.00°	12-36-60-84	Meet D, E
H	10.00°	96-24-48-72	Meet E, F, G
T	0.00°	Table	Meet G, H

Note: Revised 2005

E:\Dvue2\MyGems\ReChk176.gem