

### Short Round 835

by John Bailey, 2006

Angles for R.I. = 1.540

41 + 16 girdles = 57 facets

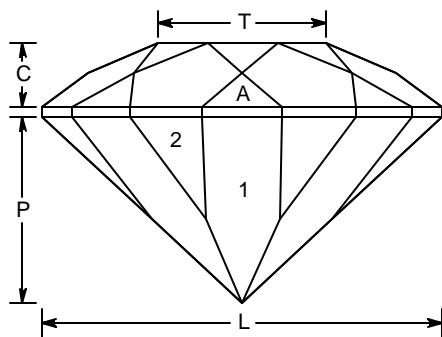
8-fold radial symmetry

96 index

L/W = 1.000 T/W = 0.420 U/W = 0.420

P/W = 0.466 C/W = 0.158

Vol./W<sup>3</sup> = 0.219



#### PAVILION

G1	90.00°	96-06-12-18-24-30-36-42-48-54-60-66-72-78-84-90	Preform & Calibrate
1	43.00°	96-12-24-36-48-60-72-84	CTP
2	45.00°	06-18-30-42-54-66-78-90	Meet 1, Girdle

#### CROWN

A	36.00°	96-12-24-36-48-60-72-84	Set girdle width
B	30.00°	06-18-30-42-54-66-78-90	Even Girdle
C	23.00°	96-12-24-36-48-60-72-84	Meet A, B
T	0.00°	Table	Meet B, C

COS Brightness = 46

E:\Dvue2MyGems\ShortRound.gem