

Six 35

by John Bailey, 2006

Angles for R.I. = 1.540

79 + 12 girdles = 91 facets

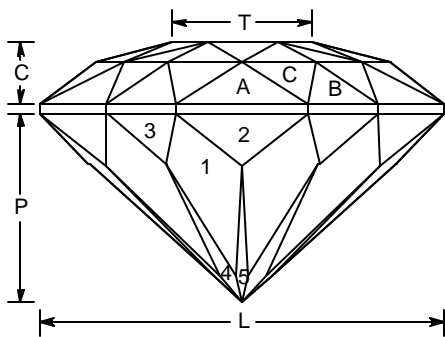
6-fold, mirror-image symmetry

96 index

L/W = 1.036 T/W = 0.357 U/W = 0.309

P/W = 0.487 C/W = 0.156

Vol./W³ = 0.241



PAVILION

G1	90.00°	96-16-32-48-64-80	Calibrate Size - Preform CAM 18.6 CTP
G2	90.00°	08-24-40-56-72-88	Preform CAM 18 CTP
1	43.00°	05-11-21-27-37-43-53-59-69-75-85-91	CTP
2	55.00°	96-16-32-48-64-80	Locate Girdle
3	46.80°	08-24-40-56-72-88	Even Girdle
4	42.00°	08-24-40-56-72-88	Meet 1, 3
5	41.00°	96-16-32-48-64-80	Meet 1, 2

CROWN

A	35.50°	96-16-32-48-64-80	Set girdle width
B	37.00°	08-24-40-56-72-88	Even Girdle
C	32.00°	02-14-18-30-34-46-50-62-66-78-82-94	Meet A, B, Girdle
D	15.50°	02-14-18-30-34-46-50-62-66-78-82-94	Meet A, C and A, B
E	14.50°	96-16-32-48-64-80	Meet A, C, D
T	0.00°	Table	Meet D, E

COS Brightness = 61.4

CAM Preform 18° on 8 and 18.6° on 0

E:\Dvue2\MyGems\New Folder\Six35.gem