

SnowFlake #1

by John Bailey, 2007

Angles for R.I. = 1.540

85 + 12 girdles = 97 facets

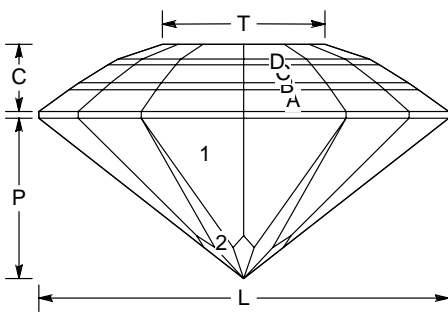
6-fold, mirror-image symmetry

96 index

$L/W = 1.073$ $T/W = 0.425$ $U/W = 0.396$

$P/W = 0.419$ $C/W = 0.176$

$Vol./W^3 = 0.212$



PAVILION

1	41.00°	02-14-18-30-34-46- 50-62-66-78-82-94	CTP
Girdle	90.00°	02-14-18-30-34-46- 50-62-66-78-82-94	Calibrate Size
2	38.02°	96-08-16-24-32-40- 48-56-64-72-80-88	Meet 1, Girdle

CROWN

A	38.00°	02-14-18-30-34-46- 50-62-66-78-82-94	Set Girdle
B	36.00°	02-14-18-30-34-46- 50-62-66-78-82-94	Make outer ring
C	34.00°	02-14-18-30-34-46- 50-62-66-78-82-94	
D	32.00°	02-14-18-30-34-46- 50-62-66-78-82-94	Make inner ring
E	20.00°	02-14-18-30-34-46- 50-62-66-78-82-94	
T	0.00°	Table	

COS = 79.5

E:\Dvue2\MyGems\NotPostedYet\SnowFlake01.gem