

SnowFlake #3

by John Bailey, 2007

Angles for R.I. = 1.540

73 + 6 girdles = 79 facets

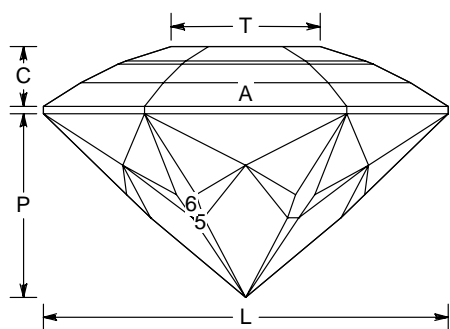
6-fold, mirror-image symmetry

96 index

$L/W = 1.155$ $T/W = 0.425$ $U/W = 0.368$

$P/W = 0.524$ $C/W = 0.170$

$Vol./W^3 = 0.274$



PAVILION

Girdle	Angle	Facet Sequence	Description
Girdle	90.00°	96-16-32-48-64-80	Calibrate Size
1	57.00°	96-16-32-48-64-80	Locate Girdle
2	48.00°	02-14-18-30-34-46-50-62-66-78-82-94	Meet 1, Girdle
3	44.50°	01-15-17-31-33-47-49-63-65-79-81-95	Meet 1, 2
4	43.00°	96-16-32-48-64-80	Meet 1, 2, 3
5	40.00°	08-24-40-56-72-88	Meet Culet
6	44.10°	08-24-40-56-72-88	Meet 1, 2, Girdle and 3, 4, 5

CROWN

A	36.00°	96-16-32-48-64-80	Set Girdle width
B	30.00°	96-16-32-48-64-80	Equals A
C	24.00°	96-16-32-48-64-80	Frosted
D	20.00°	96-16-32-48-64-80	Set width of C
T	0.00°	Table	

COS = 60.6

E:\Dvue2\MyGems\NotPostedYet\SnowFlake03.gem