

## SnowFlake #4

by John Bailey, 2007

Angles for R.I. = 1.540

91 + 12 girdles = 103 facets

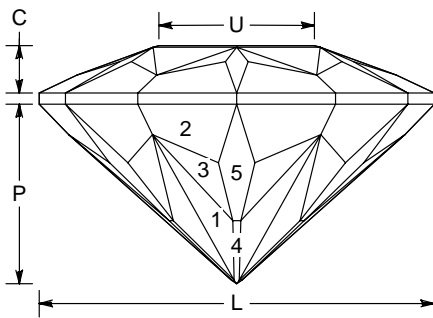
6-fold, mirror-image symmetry

96 index

$L/W = 1.000$   $T/W = 0.455$   $U/W = 0.394$

$P/W = 0.455$   $C/W = 0.120$

$Vol./W^3 = 0.193$



### PAVILION

1	42.00°	06-10-22-26-38-42- 54-58-70-74-86-90	CTP
Girdle	90.00°	04-12-20-28-36-44- 52-60-68-76-84-92	Calibrate Size
2	47.00°	04-12-20-28-36-44- 52-60-68-76-84-92	About 1/4 of #1
3	43.00°	05-11-21-27-37-43- 53-59-69-75-85-91	Meet 1, 2
4	40.00°	96-16-32-48-64-80	A thin line
5	43.63°	96-16-32-48-64-80	Meet 1, 3, 4 and 2, Girdle

### CROWN

A	26.00°	04-12-20-28-36-44- 52-60-68-76-84-92	Locate Girdle
B	23.00°	05-11-21-27-37-43- 53-59-69-75-85-91	Locate pattern on crown
C	20.00°	08-24-40-56-72-88	Meet A, B
D	24.25°	96-16-32-48-64-80	Meet B, C and A, Girdle
E	17.00°	08-24-40-56-72-88	Meet B, C, D
T	0.00°	Table	

COS = 65.5

E:\Dvue2\MyGems\NotPostedYet\SnowFlake04.gem