

Swift Sapphire Square

by John Bailey

Angles for R.I. = 1.760

57 + 8 girdles = 65 facets

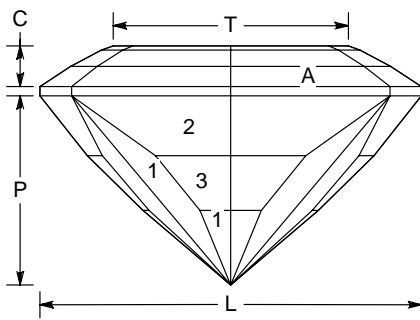
4-fold, mirror-image symmetry

96 index

$L/W = 1.000$ $T/W = 0.616$ $U/W = 0.616$

$P/W = 0.495$ $C/W = 0.106$

$Vol./W^3 = 0.235$



PAVILION

1	41.00°	03-08-16-21- 27-32-40-45- 51-56-64-69- 75-80-88-93	CPP
Girdle	90.00°	03-21-27-45- 51-69-75-93	Calibrate Size
2	52.03°	03-21-27-45- 51-69-75-93	Meet 1, Girdle
3	44.99°	03-21-27-45- 51-69-75-93	Make 1, 2, 3 thirds of depth

CROWN

A	33.62°	03-21-27-45- 51-69-75-93	Set Girdle width
B	28.00°	03-21-27-45- 51-69-75-93	Step from A
C	20.75°	03-21-27-45- 51-69-75-93	B = A
T	0.00°	Table	C = 0.5 * B

COS = 69.3

E:\inetpub\wwwroot\gemstoneartist\Designs\SwiftSapphireSquare.gem