

Third Eye (Chakra Six - a)

by John Bailey, 2007

Angles for R.I. = 1.540

85 + 12 girdles = 97 facets

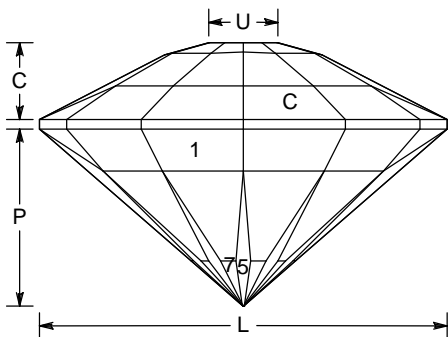
2-fold, mirror-image symmetry

96 index

L/W = 1.000 T/W = 0.193 U/W = 0.170

P/W = 0.435 C/W = 0.189

Vol./W³ = 0.202



PAVILION

Facet	Angle	Facet Numbers	Description
Girdle	90.00°	04-12-20-28-36-44-52-60-68-76-84-92	Preform / Calibrate
1	46.00°	04-12-20-28-36-44-52-60-68-76-84-92	CTP
2	42.00°	21-27-69-75	Meet 1, Girdle
3	41.40°	04-12-36-44-52-60-84-92	Meet 1, 2 and Culet
4	40.00°	09-15-33-39-57-63-81-87	Meet 1, 2, 3
5	39.90°	96-48	Meet 1, 2 and Culet
6	41.05°	24-72	Meet 1, 2, Girdle and Culet
7	40.00°	04-12-36-44-52-60-84-92	Meet Culet
8	40.50°	21-27-69-75	Meet Culet

CROWN

Facet	Angle	Facet Numbers	Description
A	32.90°	20-28-68-76	Set Girdle width
B	34.80°	12-36-60-84	Even Girdle
C	37.60°	04-44-52-92	Even Girdle
D	27.60°	22-26-70-74	Meet A, Girdle
E	24.00°	12-36-60-84	Meet A, B, D
F	24.00°	04-44-52-92	Meet B, C, E
G	15.70°	23-25-71-73	Locate / Size Iris
H	15.70°	12-36-60-84	Meet D, E, G
J	14.10°	05-43-53-91	Meet E, F, H
T	0.00°	Table	Size Pupil

Chakra Gems Collection (TM)

COS = 76.8

E:\Dvue2\MyGems\NotPostedYet\ThirdEye.gem