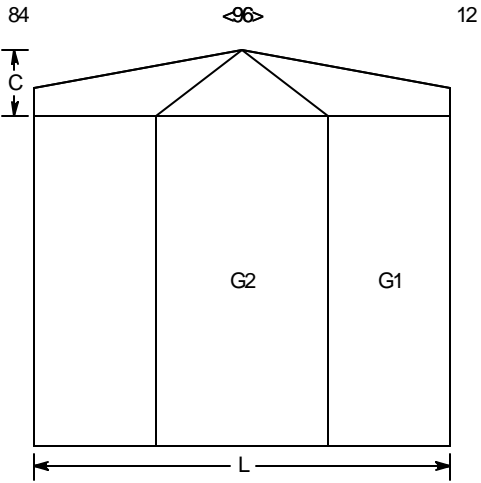
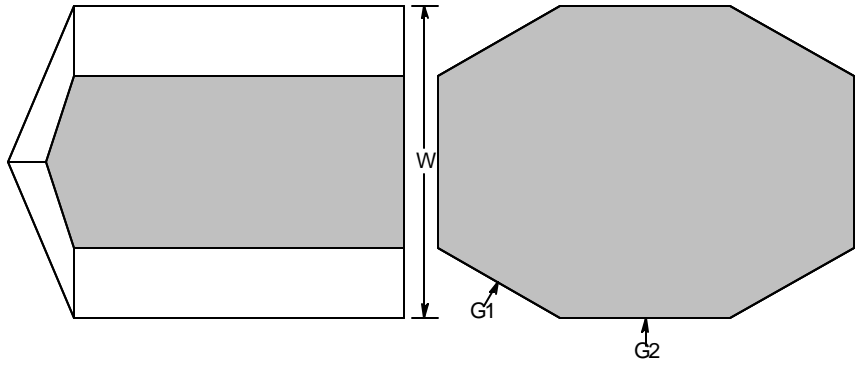
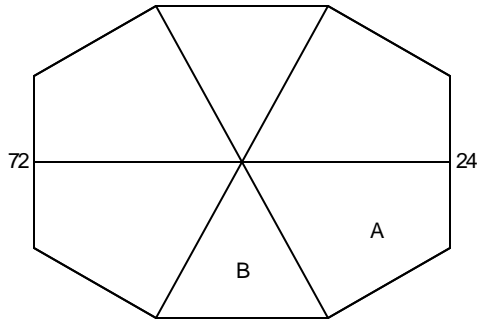


60 48 36



hc-preform for

Houseki Cushion
 by John Bailey, 2005
 Angles for R.I. = 1.620
 6 + 6 girdles = 12 facets
 2-fold, mirror-image symmetry
 96 index
 $L/W = 1.325$
 $C/W = 0.207$
 $Vol./W^3 = 1.304$

PREFORM

A	20.00°	08-40-56-88
B	22.50°	96-48
G1	90.00°	08-40-56-88
G2	90.00°	96-48

preform for the Houseki Cushion
 E:\Dvue2\MyGems\hc-pre.gem