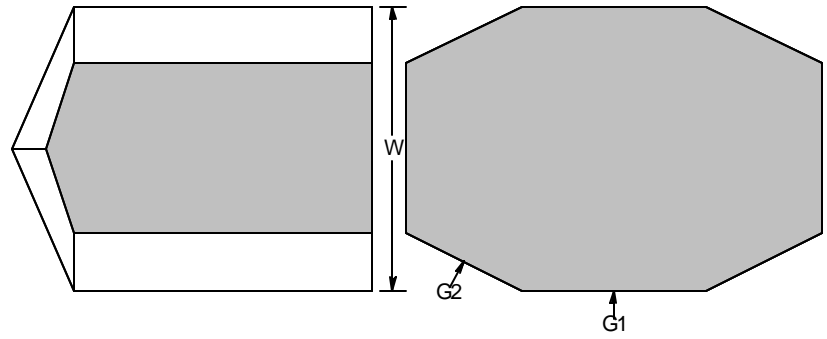
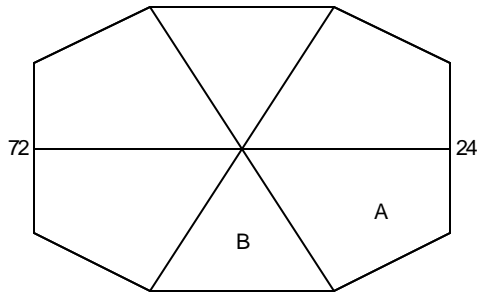
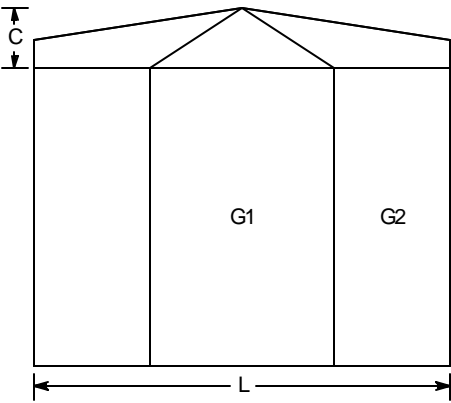


60 48 36



84 <96> 12



Houseki II Preform

by John Bailey, 2005
 Angles for R.I. = 1.620
 6 + 6 girdles = 12 facets
 2-fold, mirror-image symmetry
 96 index
 $L/W = 1.462$
 $C/W = 0.215$
 $Vol./W^3 = 1.471$

PREFORM

A	20.00°	07-41-55-89	CTP
B	23.30°	96-48	Meet Culet
G1	90.00°	96-48	Calibrate width
G2	90.00°	07-41-55-89	Meet A, B, G1

Use to prepare for Houseki II gem design
 E:\Dvue2\MyGems\hc2-pre.gem