

## Prickly Pear OMNI

by John Bailey, 2006

Angles for R.I. = 1.540

72 + 12 girdles = 84 facets

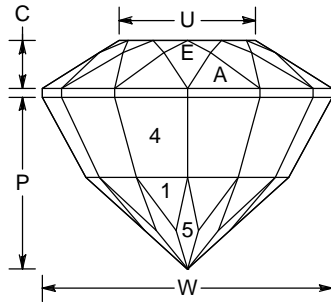
1-fold, mirror-image symmetry

96 index

$L/W = 1.170$   $T/W = 0.550$   $U/W = 0.471$

$P/W = 0.591$   $C/W = 0.165$

$Vol./W^3 = 0.306$



### PAVILION

1	44.50°	04-12-20-28-34-42-54-62-68-76-84-92	CTP
G1	90.00°	38-58	Define point of pear
G2	90.00°	32-64	OMNI
G3	90.00°	04-12-20-28-68-76-84-92	OMNI
2	60.00°	38-58	Meet 1, G1
3	61.90°	32-64	Even Girdle
4	62.30°	04-12-20-28-68-76-84-92	Even Girdle
5	42.00°	96-08-16-24-72-80-88	Meet 1, 4
6	42.50°	32-64	Meet 1, 3, 4 and Culet
7	42.80°	41-55	Meet 1,2, 3 and Culet
8	41.40°	48	Meet 1,2, Girdle and Culet

### CROWN

A	36.00°	04-12-20-76-84-92	Set girdle width
B	36.40°	28-68	Even Girdle
C	37.00°	32-64	Even Girdle
D	34.00°	38-58	Even Girdle
E	32.00°	96-08-16-24-72-80-88	Meet A, Girdle
F	34.50°	30-66	Meet B, C, Girdle
G	32.00°	36-60	Meet C, D, Girdle
H	28.20°	40-56	Meet D, Girdle
J	29.40°	34-62	Meet C, F, G
K	29.00°	26-70	Meet B, E, F
L	26.00°	04-12-20-76-84-92	Meet A, E
T	0.00°	Table	

COS Brightness = 61.6 @ 1.54 RI

E:\Dvue2\MyGems\ppOmni.gem